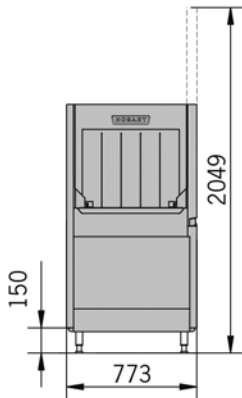
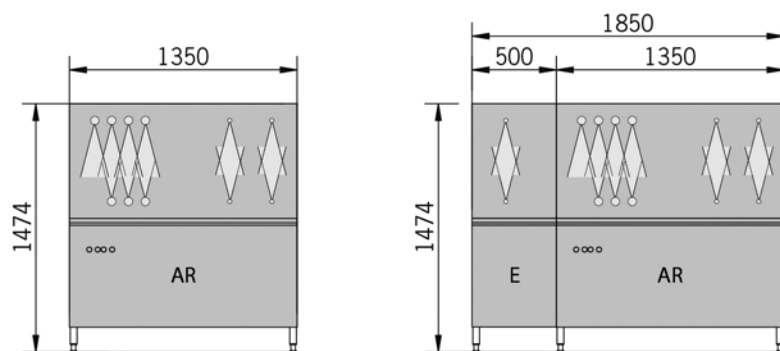


DRAWINGS

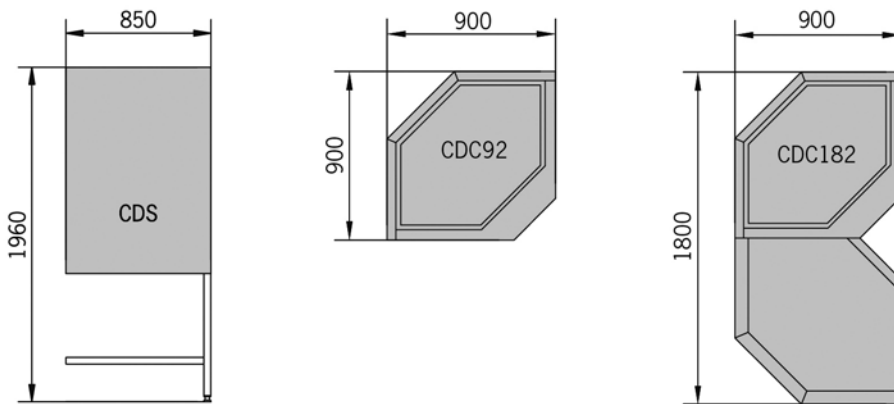
ENTRY SECTION



WASHING



DRYING ZONE



Loading height: 440 mm
Loading width: 510 mm

TECHNICAL DATA

| RACKS Capacity maximum | CONVEYOR SPEED | WATER CONSUMPTION ^[1] | | ENERGY CONSUMPTION ^[2] kWh (connected load kW) with heat recovery | RECOMMENDED MODEL SELECTION | RECOMMENDED TOTAL LENGTH in mm, without drying zone |
|---------------------------|----------------------------|----------------------------------|-----------------------|--|--------------------------------|--|
| | | l/h | l/rack ^[3] | | | |
| number/h | m/min | | | | | |
| 80 / 120 ^[1] | 0.67 / 1,0 ^[1] | 230 ^[1] | 1.9 | 24.8 (33.0) | CS-A | 1,350 |
| 100 / 150 ^[1] | 0.83 / 1.25 ^[1] | 240 ^[1] | 1.6 | 24.8 (33.0) | CS-E-A | 1,850 |

^[1] Using dual rinse

^[2] Average value with an exemplary set of covers and type of business

^[3] Using dual rinse ideal values